



Modular LED Street Lights

ENELTEC[®]
brighten your ideas

PHILIPS

LUMILEDS
The Brighter Choice

MW
MEAN WELL
LED DRIVER

CE

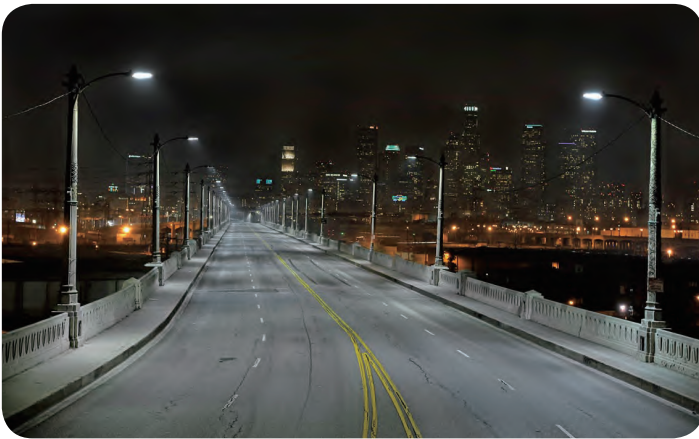
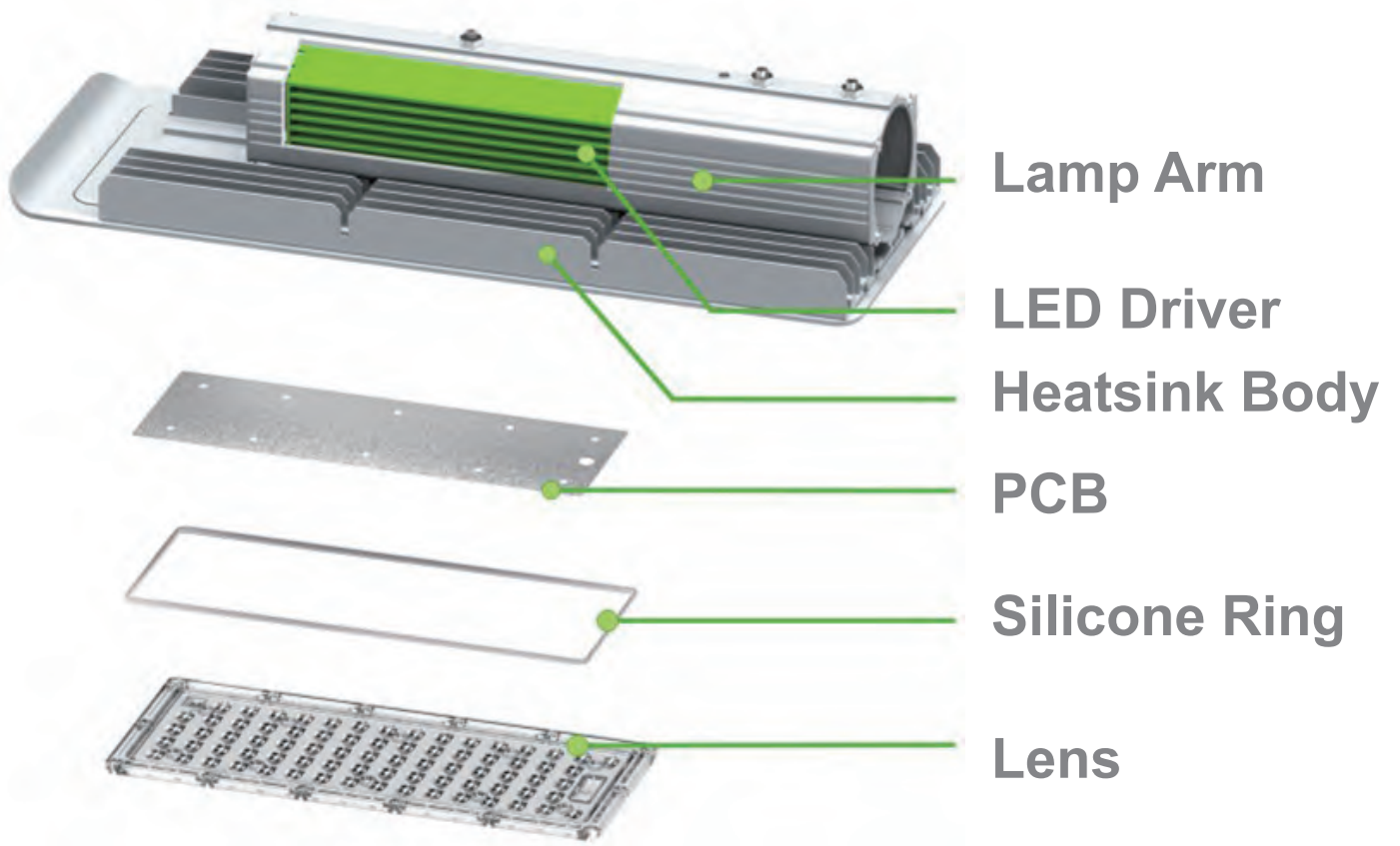
RoHS

WARRANTY
5 YEARS
WARRANTY

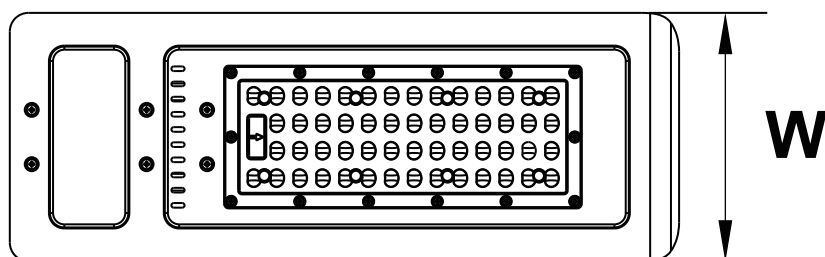
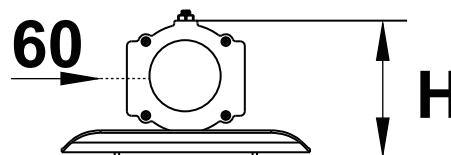
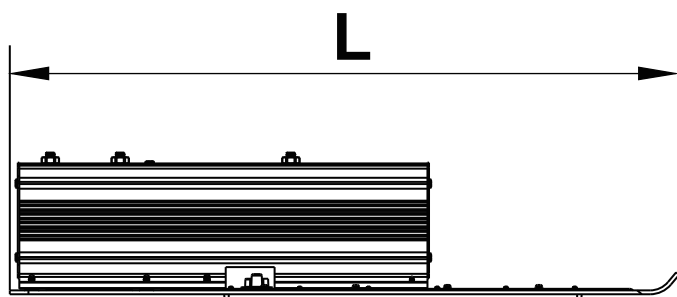
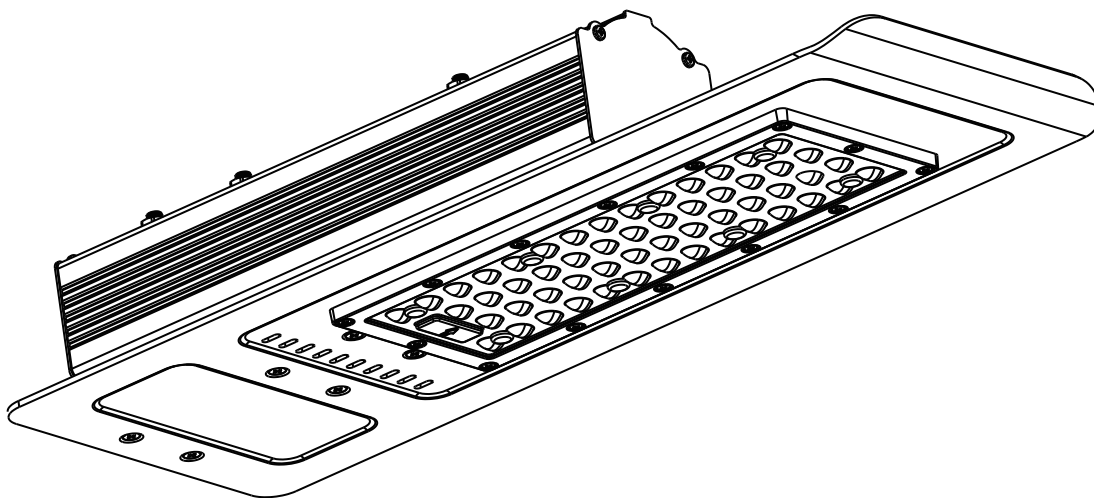
Photo



Structure



Dimensions



Power	Dimension (mm)		
	L	W	H
30W	366	135	85
40W	366	135	90
60W	432	160	90
90W	432	160	90
120W	632	215	90
150W	632	215	90

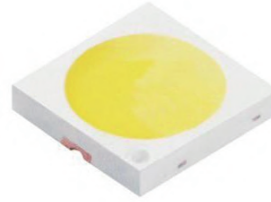
Product Benefits

PHILIPS
LUMILEDS LED LUMINOUS SOURCE

ENELTEC Modular LED Street lights are utilizing PHILIPS SMD 3030 LED luminous source, providing excellent lumen output, long-lasting stability and splendid sight.

Each LED owns electrostatic protection component, maximally avoid the damage of electrostatic.

More information about the LED luminous source and solid-state lighting technologies can be found at www.philipslumileds.com.



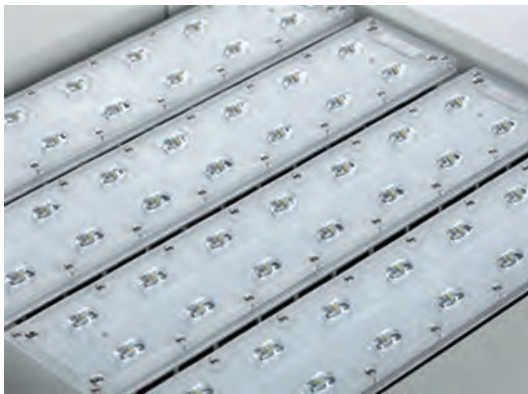
Superior efficacy
Leading lumen output
Ultimate design flexibility



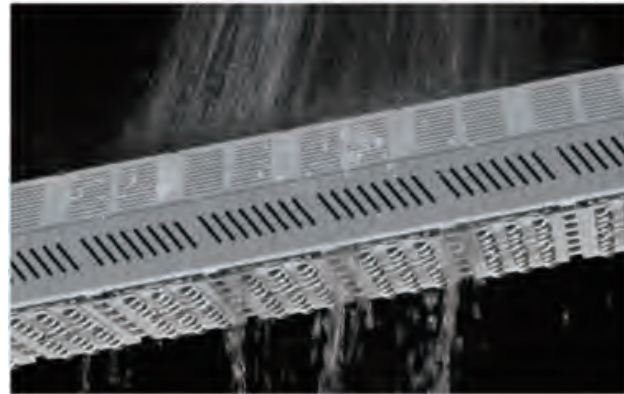
MW
MEAN WELL LED DRIVER

ENELTEC Modular LED Street lights are utilizing MEAN WELL® high-end driver, great luminaire stability, lifespan and optimal performance status.

More information about the MEAN WELL® and LED driver technologies, please visit www.meanwell.com



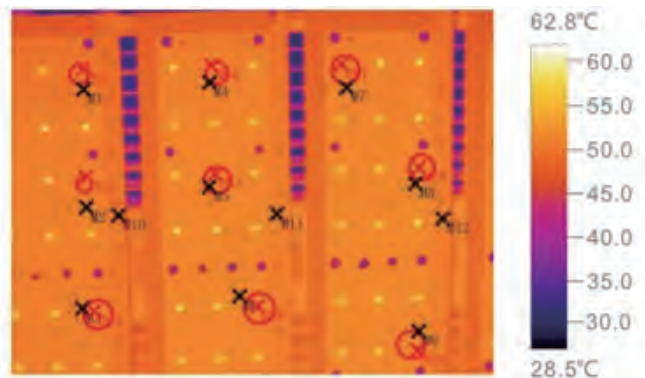
Exquisite design with powerful thermal output



High IP Level, totally prevent the dust and water from the rainstorm

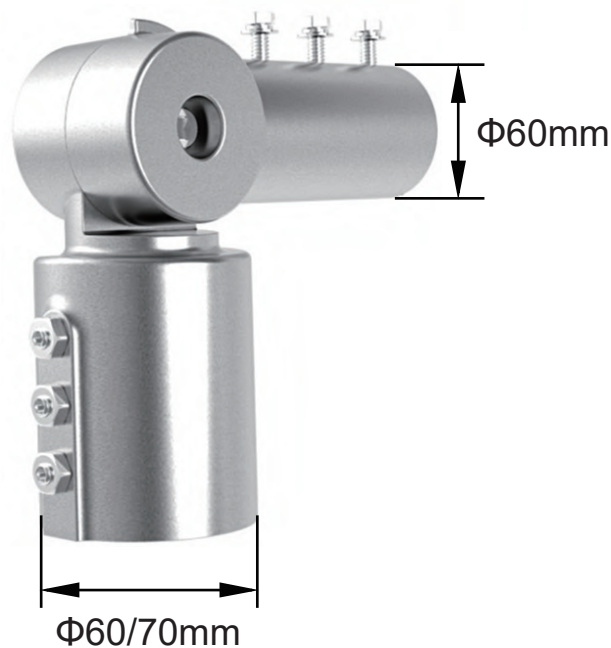
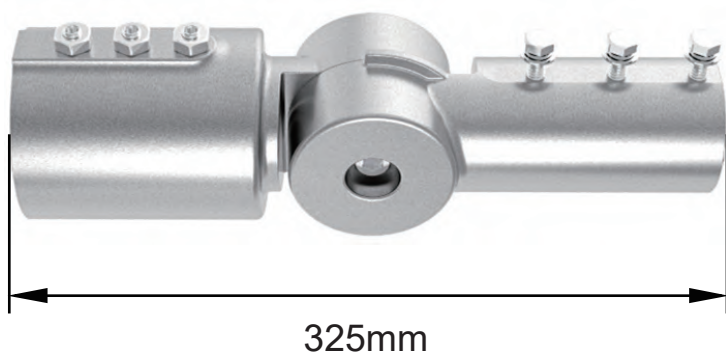
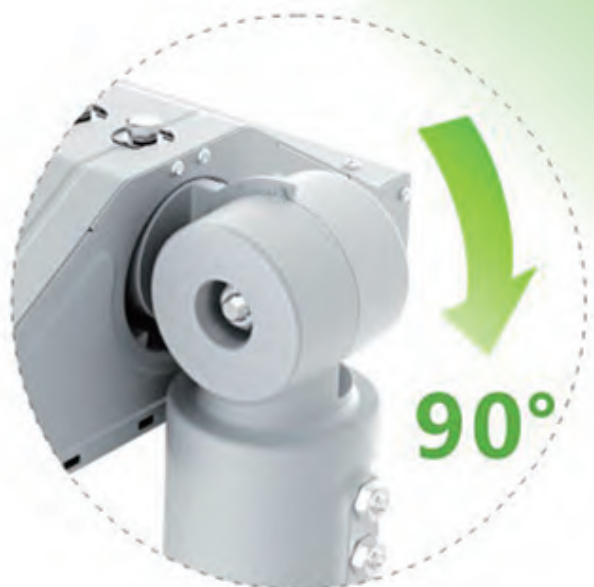


Wide Beam Angle for urban main roads



Chip Average temperature: 59.6°C

Adapter



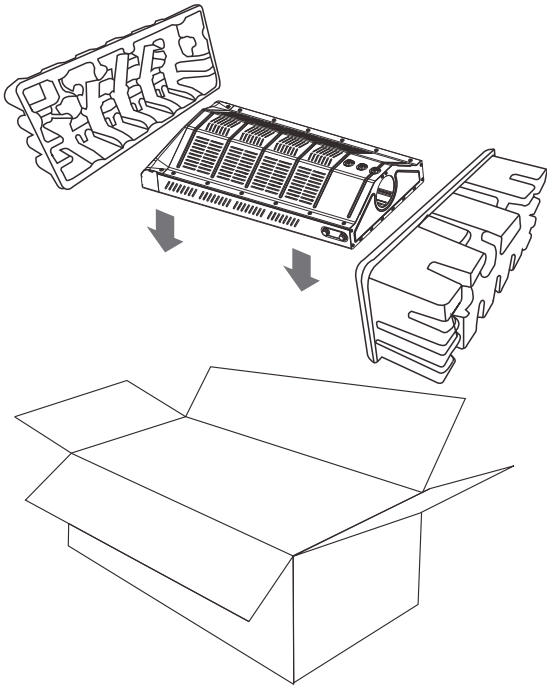
Data

Model No.	ENSL-30W-06CE	ENSL-40W-06CE	ENSL-60W-06CE	ENSL-90W-06 (CE/MW)	ENSL-120W-06 (CE/MW)	ENSL-150W-06 (CE/MW)
Input Voltage	85-265VAC	85-265VAC	85-265VAC	85-265VAC	85-265VAC	85-265VAC
Frequency	50-60Hz	50-60Hz	50-60Hz	50-60Hz	50-60Hz	50-60Hz
Power Factor	>0.95	>0.95	>0.95	>0.95	>0.95	>0.95
LED	PHILIPS LUMILEDS SMD3030	PHILIPS LUMILEDS SMD3030	PHILIPS LUMILEDS SMD3030	PHILIPS LUMILEDS SMD3030	PHILIPS LUMILEDS SMD3030	PHILIPS LUMILEDS SMD3030
Power (W)	30	40	60	90	120	150
Lumen Output	3300	4400	6600	9900	13200	16500
Luminous Efficiency	110lm/W	110lm/W	110lm/W	110lm/W	110lm/W	110lm/W
CRI	Ra> 80	Ra> 80	Ra> 80	Ra> 80	Ra> 80	Ra> 80
Beam Angle	140°H x 70°V	140°H x 70°V	140°H x 70°V	140°H x 70°V	140°H x 70°V	140°H x 70°V
Color Temperature	3000K/ 4000K/ 5000K/ 6000K	3000K/ 4000K/ 5000K/ 6000K	3000K/ 4000K/ 5000K/ 6000K	3000K/ 4000K/ 5000K/ 6000K	3000K/ 4000K/ 5000K/ 6000K	3000K/ 4000K/ 5000K/ 6000K
Working Temperature	-30℃~+45℃	-30℃~+45℃	-30℃~+45℃	-30℃~+45℃	-30℃~+45℃	-30℃~+45℃
Storage Temperature	-35℃~+60℃	-35℃~+60℃	-35℃~+60℃	-35℃~+60℃	-35℃~+60℃	-35℃~+60℃
IP Grade	IP65	IP65	IP65	IP65	IP65	IP65
Lumen Maintenance	70% (50,000Hrs)	70% (50,000Hrs)	70% (50,000Hrs)	70% (50,000Hrs)	70% (50,000Hrs)	70% (50,000Hrs)

Warranty

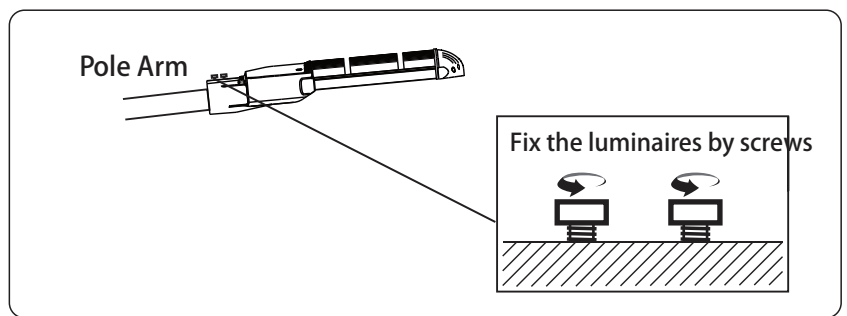
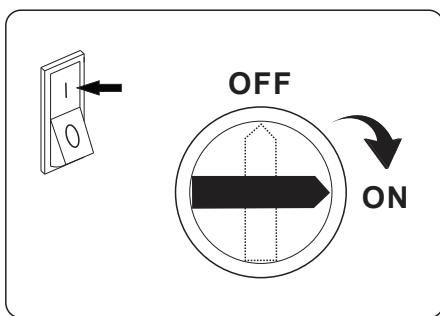
CE Drivers: 3 Years, MEANWELL Drivers: 5 Years

Packing



Power	Dimension (mm)			Weight (kg)	
	L	W	H	NW	GW
30W	415	190	145	1.7	1.9
40W	415	190	145	1.8	2.0
60W	475	215	145	2.6	2.9
90W	475	215	145	3.6	4.0
120W	685	270	145	4.1	4.5
150W	685	270	145	5.2	5.8

Installation



⚠ Caution:

- Turn Power Off During Installation. Do Not Connect or Disconnect Under Load.
- Caution Risk of Fire.