

ENELTEC[®]

brighten your ideas

Standard COB LED Flood Lights



EPILEDS
Light tech. Green future

EPISTAR



Specification:

- Nicely treated die-casting ADC12 aluminum alloy housing
- 4mm tempered glass cover, strong protection and good optical function
- Waterproof:IP65
- Operating Temperature: -20-50°C
- Storage Temperature: -40-60°C

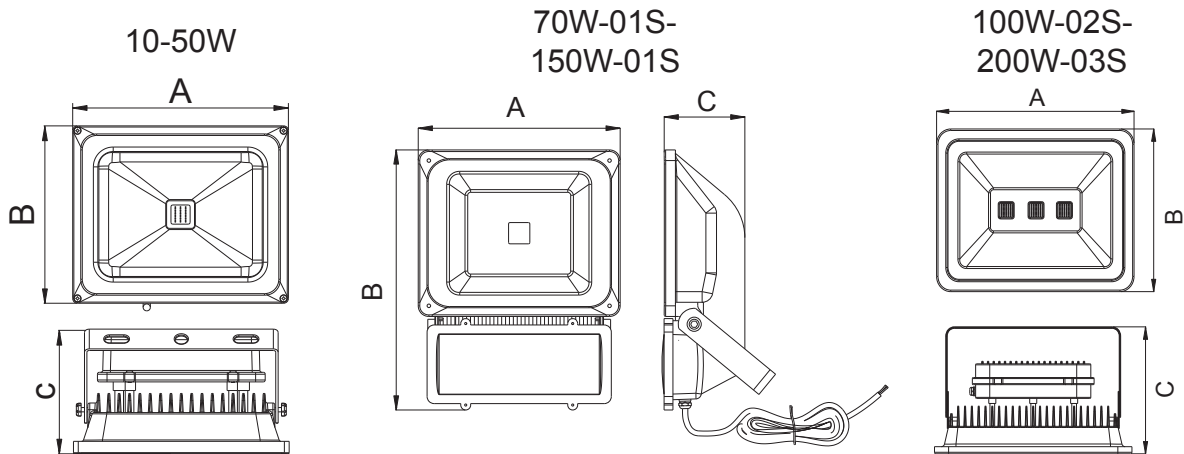
Application:

Garden, residential area, landscape, architectural decorative lighting, roads and other places.



www.eneltec-led.com

● Dimensions



Model No.	Product Dimension (mm)		
	A	B	C
ENFL-10W-01S	130	110	82
ENFL-20W-01S	180	157	100
ENFL-30W-01S	225	197	122
ENFL-50W-01S	288	235	132
ENFL-70W-01S	290	370	120
ENFL-100W-01S	300	360	110
ENFL-120W-01S	405	320	140
ENFL-150W-01S	405	320	140
ENFL-100W-02S	420	325	200
ENFL-120W-02S	420	325	200
ENFL-150W-03S	420	325	200
ENFL-200W-03S	420	325	200

● Data

Model No.	ENFL-10W-01S	ENFL-20W-01S	ENFL-30W-01S	ENFL-50W-01S	ENFL-70W-01S	ENFL-100W-01S	ENFL-120W-01S	ENFL-150W-01S	ENFL-100W-02S	ENFL-120W-02S	ENFL-150W-03S	ENFL-200W-03S
Input Voltage	85-265VAC, 50-60Hz											
PF	>0.5	>0.9										
Power (W)	10	20	30	50	70	100	120	150	100	120	150	200
Lumen (lm)	1000	2000	3000	5000	7000	10000	12000	15000	10000	12000	15000	20000
CRI	>80											
Beam Angle	60°/120°						120°		60°/120°			
Color	2700-3200K / 4000-4500K / 6000-6500K											
IP Grade	IP65											
LED	EPILEDs 30mil×1PC	EPILEDs 30mil×1PC	EPILEDs 30mil×1PC	EPILEDs 30mil×1PC	EPISTAR 35mil×1PC	EPISTAR 35mil×1PC	EPISTAR 35mil×1PC	EPISTAR 35mil×1PC	EPISTAR 35mil×2PCS	EPISTAR 35mil×2PCS	EPISTAR 35mil×3PCS	EPISTAR 35mil×3PCS
LED Driver	CE Approved Driver											
Packing Dimension (mm)	20PCS 560×260×230	12PCS 495×390×250	8PCS 480×415×305	4PCS 500×315×335	2PCS 400×300×255	2PCS 400×300×255	1PC 490×370×165	1PC 490×370×165	1PC 460×330×240	1PC 460×330×240	1PC 460×330×240	1PC 460×330×240
Net Weight/ Gross Weight (Kg)	20PCS 9.1/10.0	12PCS 10.9/12.0	8PCS 12.7/14.0	4PCS 10.5/11.5	2PCS 11.1/12.2	2PCS 11.1/12.2	1PC 7.1/7.8	1PC 7.1/7.8	1PC 7.2/7.9	1PC 7.2/7.9	1PC 7.2/7.9	1PC 7.2/7.9

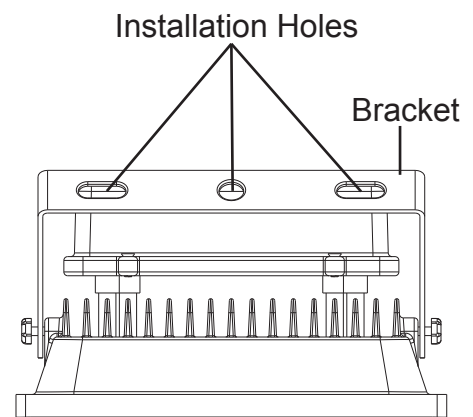
● User Instruction:

1. Rated operational voltage: AC85~265V 50/60HZ. The input voltage should be stable to avoid large fluctuation. It should be no more than rated operational voltage.
2. Ambient temperature for storage: $-40^{\circ}\text{C}\sim+60^{\circ}\text{C}$
Ambient temperature for working: $-20^{\circ}\text{C}\sim+50^{\circ}\text{C}$
The best ambient temperature for working: $-0^{\circ}\text{C}\sim+30^{\circ}\text{C}$
3. There are glass fittings for the light. Please handle with care. To avoid the glass from being broken, heavy loading is forbidden.

● Installation Instruction:

It is suggested that the LED flood lights should be installed by professionals following the instructions. Otherwise, the following consequences may result.

1. The light given out by the flood light cannot be fully displayed. The beam angle is inappropriate.
2. The light cannot work normally
3. The danger of electric shock.



Step 1: Inspect installation position

First check whether the support or screws of the installation position can bear the weight of 1.5 times more than the body weight of the light. If not, please do not install.

Step 2: Fix the light

If the support for installation is steel, aluminum or iron bracket, please drill three holes in the metal support. The location of the holes is the same as what is on the bracket. Please align the holes on both the bracket of the light and the metal bracket. Then lock them with screws. If the place for installation is cement or concrete on flat surface, please drill holes with jackhammer on the corresponding position of the mounting surface. Then fix the light with setscrews of more than $\Phi 10\text{MM}$.

1. Pass the screw through the bracket



2. Lock the screw



3. Install completed

